

1	2	3	4
RevNo	Revision note	Date	Signature
			Checked

A

A

B

B

C

C

D

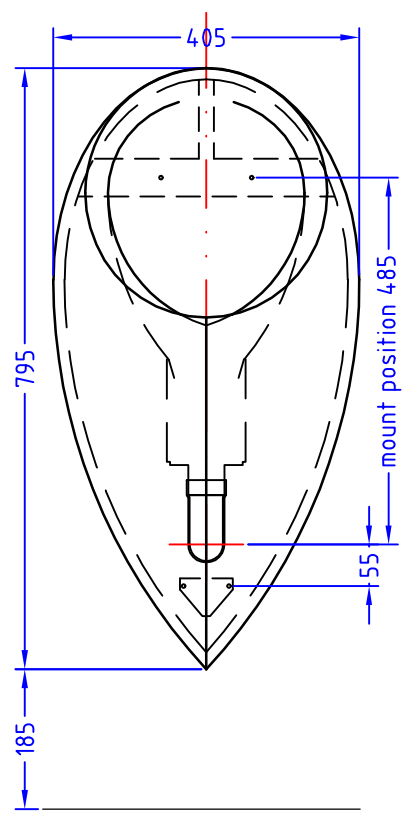
D

E

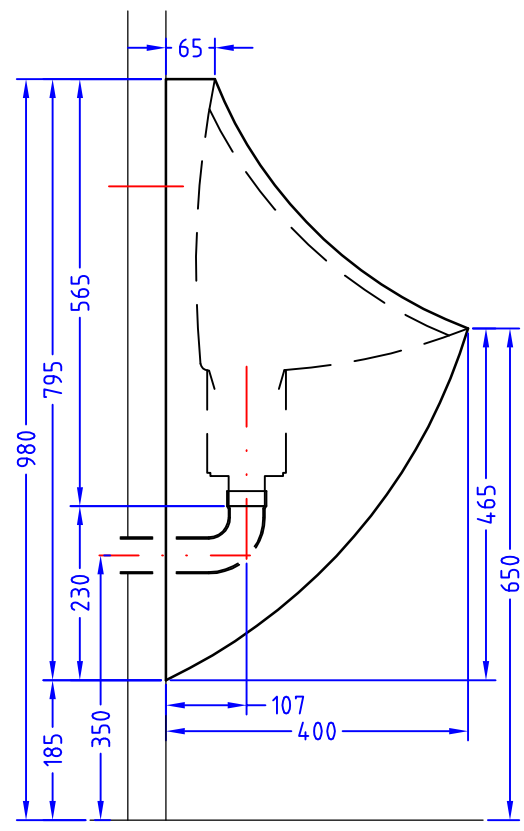
E

F

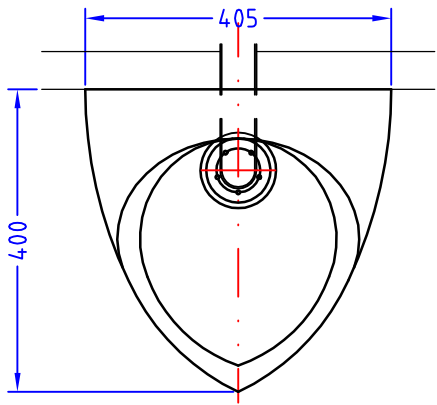
F



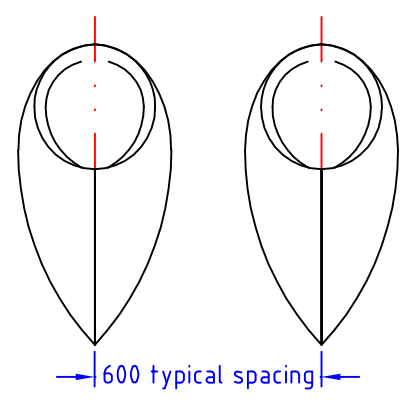
Front View



Side View



Plan View



600 typical spacing

Designed/Drawn GJB	Checked by Uridan	Approved by - date 31/01/2006	File name Uridan GH-1	Date 17/5/2006	Scale 1:10
-----------------------	----------------------	----------------------------------	--------------------------	-------------------	---------------



Uridan Waterless Urinal

Model GH-1

Version 1
Sheet 1/1