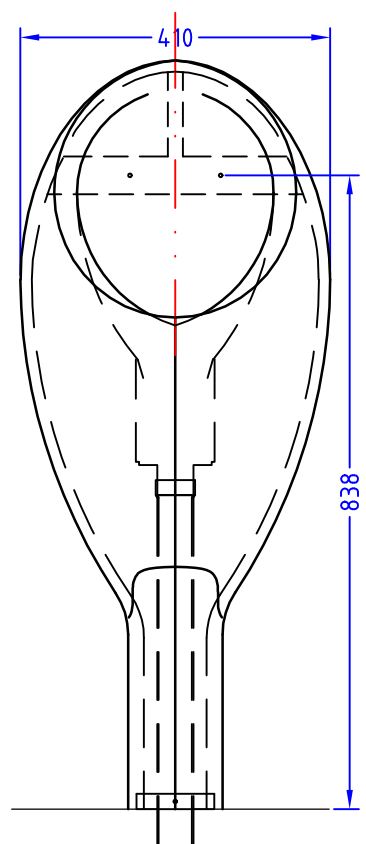
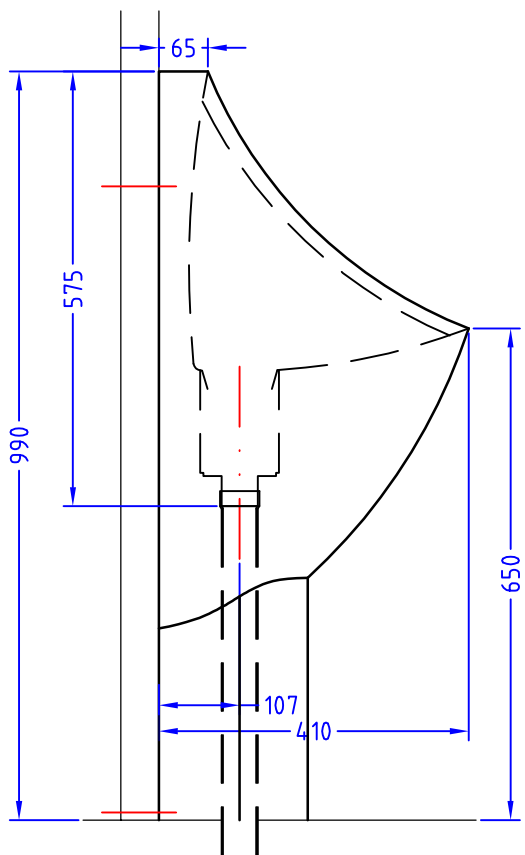


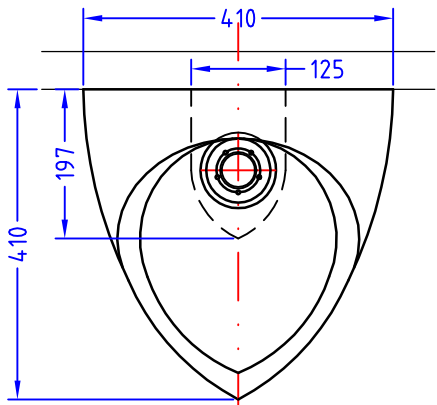
1	2	3	4
RevNo	Revision note	Date	Signature
			Checked



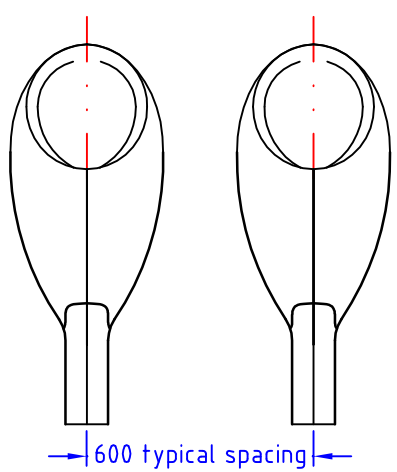
Front View



Side View



Plan View



600 typical spacing

Designed/Drawn GJB	Checked by Uridan	Approved by - date	File name Uridan GVF-1	Date 17/5/2006	Scale 1:10
-----------------------	----------------------	--------------------	---------------------------	-------------------	---------------



Uridan Waterless Urinal

Model GVF-1

Version  
1

Sheet  
1/1