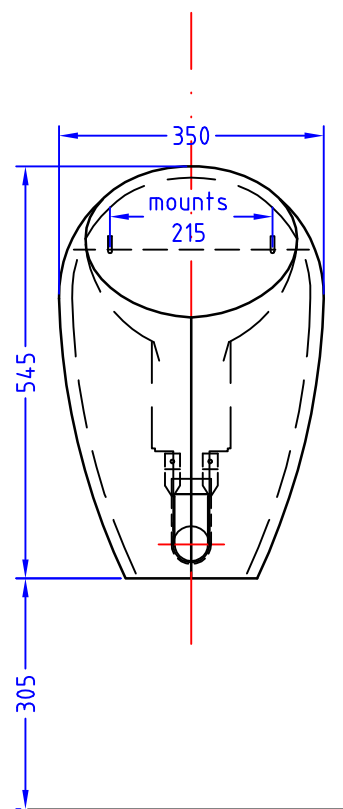
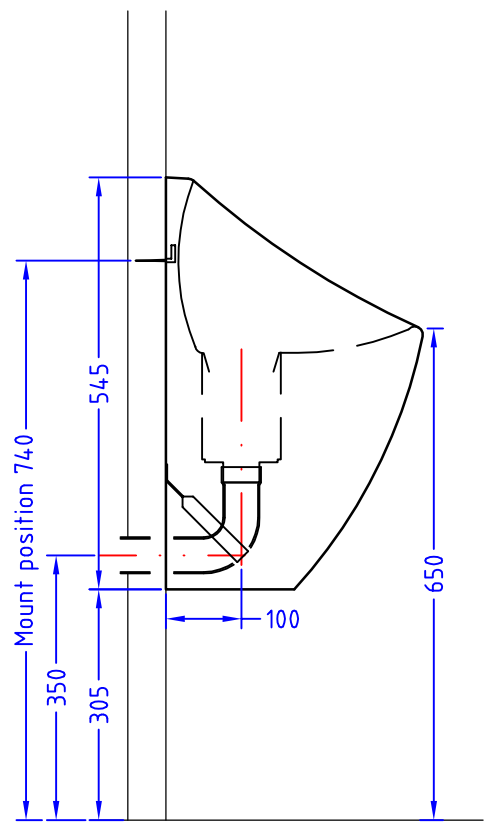


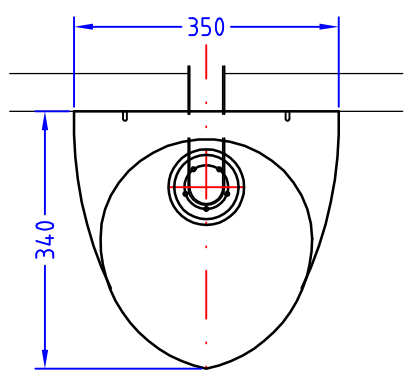
1	2	3	4
RevNo	Revision note	Date	Signature
			Checked



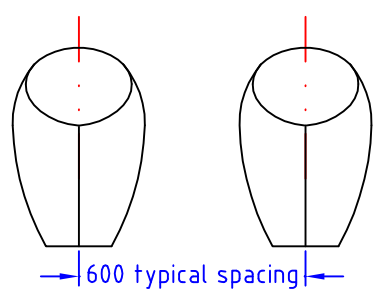
Front View



Side View



Plan View



Designed/Drawn GJB	Checked by Uridan	Approved by - date	File name Uridan KHC-2	Date 12/7/2006	Scale 1:10
		Uridan Waterless Urinal			
		Model KHC-2	Version 1	Sheet 1/1	